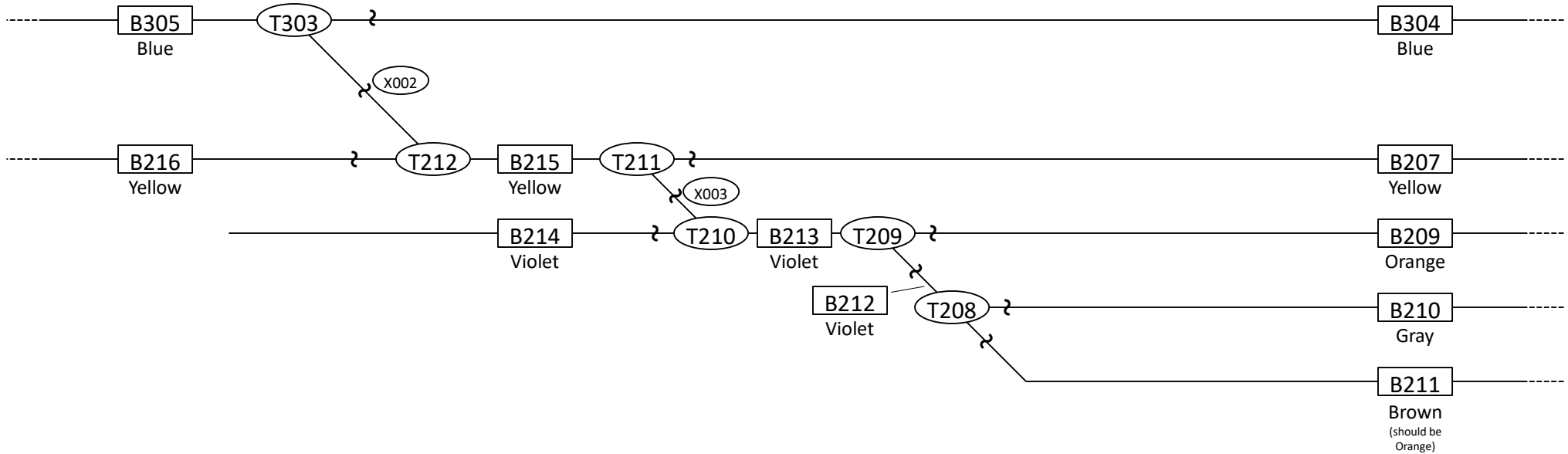


Hornell Model Railroad Club - Depot Layout

Panel B Numbering and Wire Colors

W ← → E



T303	RH turnout	switch machine under end	use wiring method A
T212	RH turnout	switch machine under body	use wiring method B
T211	RH turnout	switch machine under end	use wiring method A
T210	RH turnout	switch machine under body	use wiring method B
T209	RH turnout	switch machine under end	use wiring method A
T208	LH turnout	switch machine under body	use wiring method A